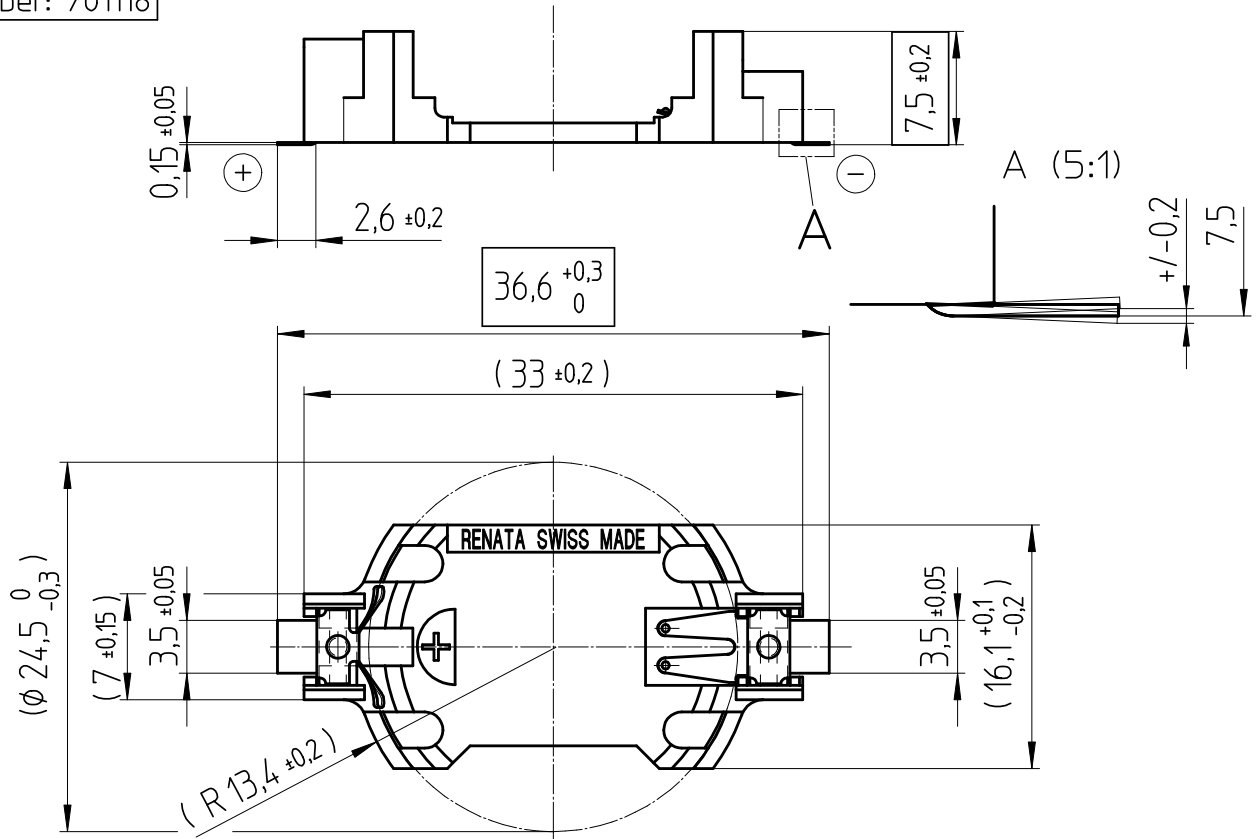
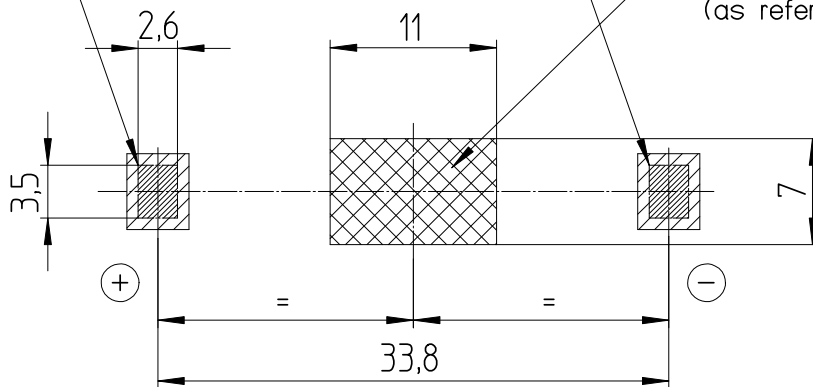


Art.-Number: 701118



Zone for soldering

Zone for adhesive fixation
(as reference only)



Layout
Top view

- Samples can deviate in the execution from the serie.

Holder material : heat resistant, glass-fiber reinforced LCP

Battery contacts : spring stainless steel 301 nickel plated, thickness 10µm

Solder contacts : spring stainless steel 301 solder plated throughout 100% Sn, thickness 10µm

- Dimensions and tolerances can be specified only after the testing of the devices for the mass production definitely

All framed values will be used for dimension checking !

Rev. ○	Rev. ○	Rev. ○			Customer's Approval		
Rev. ○	Rev. ○	Rev. ○			Date		
Rev. ○	Rev. ○	Rev. ○			Signature		
Titel:				Scale 2:1	Drawn	25.01.05	SRi
SMTU2450N-LF					Checked		
					Approved	02.02.05	MHo
				CH-4452 Itingen Switzerland		3.8762.4-	